



## **Instruction Manual**

Thermoelectric refrigerator

BC30, BC30G, BC40

BC30RETRE, BC30RETBL

# Instruction Manual

## Thermoelectric refrigerator

### BC30, BC30G, BC40

#### Introduction

Thank you for purchasing our **ALDA minibar**. This manual is prepared to help you operate and maintain your refrigerator more efficiently. Keep it in a safe convenient place.

#### Safety statements

1. The refrigerator should use a separate, dedicated power socket. The power socket must meet the requirements of relevant safety laws and standards.
2. Make sure that the cooling system on the back of the refrigerator is out of reach and not touched by anyone unexpectedly (it will be hot during operation).
3. The outside of the unit should not be splashed with water.
4. Storage of explosive, combustibles, volatile dangerous goods and corrosives acid and alkali in the refrigerator are prohibited.
5. The inside temperature of the refrigerator is over 0°C. Therefore, items cannot be frozen in the refrigerator.
6. In case of malfunction or abnormal operation, please contact our service department or dealer for services without delay. Do not dismantle the refrigerator without authorization, as this may void relevant warranties.

#### B. Proper placement

1. The proper placement of the refrigerator to keep good heat exchange effect of the refrigerator is shown in figure 1.

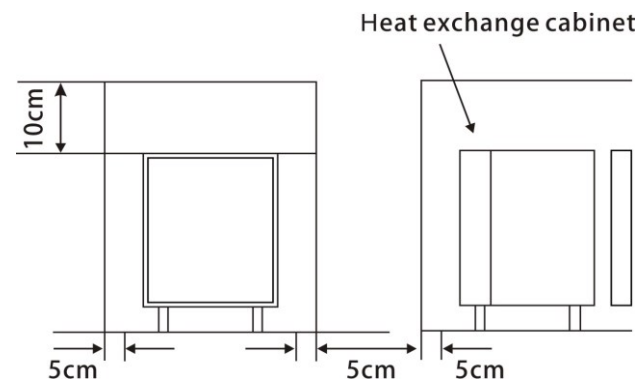


Figure 1

2. In case of built-in placement for solid door, adequate ventilation and circulation space is required. This is shown in examples A, B, C, D and E in figure 2. The area of the admission inlet and exhaust outlet should not be less than 250C m<sup>2</sup> to ensure smooth operation. Air flow to admission and exhaust must be unobstructed. Do not put the refrigerator into a closed cabinet.

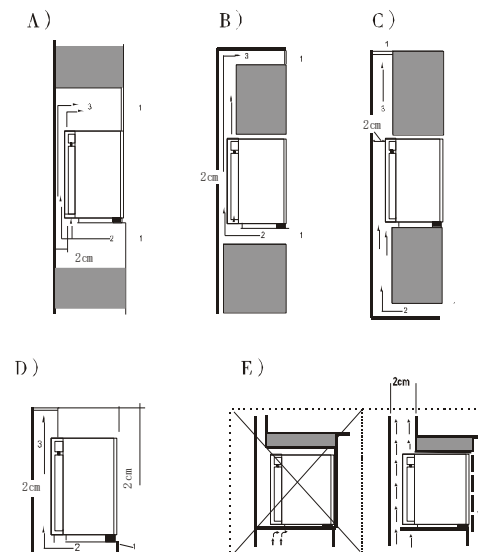


Figure 2

3. Glass door refrigerators cannot be built-in refrigerator.

1—Ventilation grid

2—Admission

3—Exhaust

**Attention: The area of space around the ventilation grid (1) should be at least 250 cm<sup>2</sup>**



**Warning**

**Attentions should be given to the following points to ensure optimum, safe performance and to lower power consumption:**

- The refrigerator should not be placed near heat source and in direct sunlight.
- Near the cooling system, there should be no barriers impeding airflow.
- The ventilation grid should not be covered by anything, including e.g. decorations and cloth etc.
- The refrigerator must be placed steady on all supports and must be level.
  
- **WARNING!** Children aged from 3 to 8 years are not allowed to load and unload this appliance.
- **WARNING!** When positioning the appliance, ensure the supply cord is not trapped or damaged.
- **WARNING!** Do not locate multiple portable socket-outlets or portable power suppliers at the rear of the appliance.



- **WARNING!** During using, service and disposal the appliance, please pay attention to symbols left side, which is located on rear of appliance (rear panel or compressor).
- It's risk of fire warning symbol. There are flammable materials in refrigerant

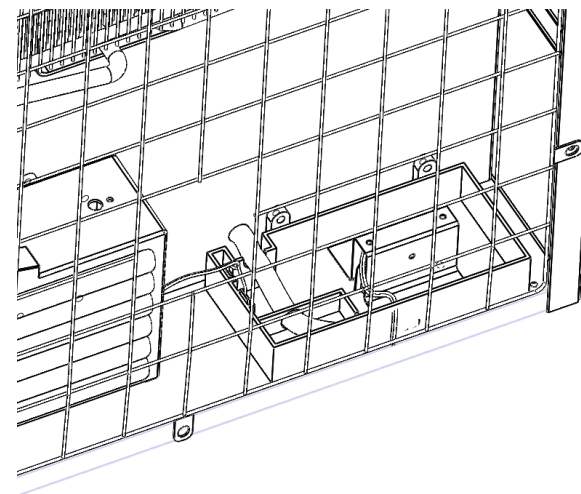
pipes and compressor.

- Please be far away from any fire source during using, service and disposal.

**C. Maintenance**

**It is recommended that the thermoelectric refrigerator shall be cleaned before its operation!**

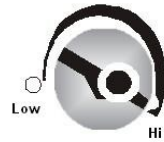
1. Clean the refrigerator with a soft cloth, with water and neutral detergent, wipe inside and outside of the refrigerator, then wipe the refrigerator dry.
2. After operation of the refrigerator, remove the dust on the cooling system on back of the refrigerator with soft cloth or feather duster at regular intervals.
3. Clean the water storage tank on the back of the refrigerator every quarter or at regular intervals.



**If the supply cord is damaged, it must be replaced by the manufacturer or service agent or a similarly qualified person.**

#### D. Method of operation

1. Put articles into the refrigerator 2 to 3 hours after start of operations, when the inside chamber is cooled down.



2. The height of the shelves can be freely adjusted conducive to store articles with various sizes. Do not put heavy articles on the shelves to avoid cracking of the shelves.

3. The refrigerator features a mounted microprocessor controlled thermostat. The controller of the thermostat is located at the back of the refrigerator. To lower the inside temperature, please turn the knob clockwise; if you desire higher temperature, please turn the knob anti-clockwise.

4. There is a light inside the refrigerator, the light will automatically activate when the door of the refrigerator is open.

#### Disconnect the power supply before replacing the light!

Steps for replacing the light are following:

- Unplug the power plug;
- Remove the transparent light cover on the top of the inside chamber;
- Turn the burnt light anti-clockwise and take it out;
- Fit a new light and turn it tightly clockwise;
- Put the light cover back.

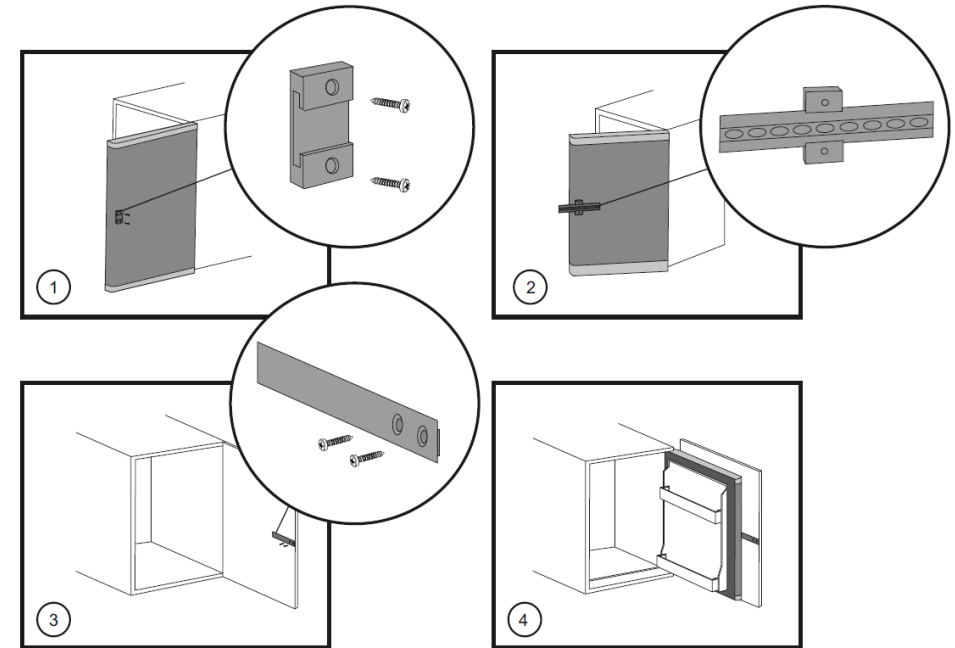
#### E. How to reverse door

Each package includes a set to change the way the door opens. All minibars are set to open right from the factory. (The hinges are attached on the right side of the minibar.) Follow the instructions below to make this change:

- Take out top hinge after loosening 2 screws on top hinge.
- Take out door.
- Take out bottom silver metallic hinge.
- Install bottom silver metallic hinge to another side. / In the case of glass doors, it is necessary to turn the door over by 180°.
- Install door and install top hinge. (Use opposite hinge from the package.)
- Check that the seal is completely flush with the body of the minibar all the way around the door. The lower platform for attaching the hinge is sliding. Please correct and compare the clearance between the door and the minibar so that the

distance between the door and the body of the minibar is the same everywhere.

#### F. Built into the cabinet (does not apply to glass versions)



#### G. Instructions for power conservation

- Minimize the time of open doors, including when restocking with new articles. Optimize your restocking process accordingly.
- The refrigerator should be switched on for a minimum of 2 hours before putting articles into the refrigerator, 3 to 4 hours is preferred.
- Do not put warm articles into the refrigerator.
- The setting of the inside temperature is around 8°C based on 25°C ambient temperature. It can not be adjusted.

**H. The thermoelectric refrigerator used for hotel rooms, is mainly designed for drinks and wine. It is not designed as a freezer or for making ice.**

## I. Troubleshooting guide

### To avoid contamination of food, please respect the following instructions

1. Opening the door for long periods can cause a significant increase of the temperature in the compartments of the appliance.
2. Clean regularly surfaces that can come in contact with food and accessible drainage systems.
3. Clean water tanks if they have not been used for 48h, flush the water system connected to a water supply if water has not been drawn for 5 days.
4. If the refrigerating appliance is left empty for long periods, switch off, defrost, clean, dry, and leave the door open to prevent mould developing within the appliance.

### J. Cleaning instruction:

Before any cleaning or maintenance operation, always unplug the appliance or disconnect it from the power supply.

For manual defrost refrigerator compartment, defrosting of the refrigerator compartment is completely automatic.

For manual defrost freezer compartment, defrost the low temperature compartment when the ice formation is excessive. It is perfectly normal for ice to form. The amount of ice which forms and the rate at which it accumulates will depend on room temperature and humidity, and on the frequency with which the door is opened. Ice formation is concentrated at the top of the compartment and does not affect the efficiency of the appliance. If possible, defrost the freezer when it is nearly empty.

For no frost model, the defrost water is automatically routed to a drain outlet and into a container from which it evaporates. Defrosting is completely automatic

Following below items:

If you plan to turn off your appliance for a longer period of time:

1. Empty the refrigerator.
2. Unplug the appliance from the power supply.

3. Leave the doors open while the appliance is not being used, to prevent the

Doesn't Work	If power is on?
	If connect with electrical outlet?
	If lamp is on?
	If ambient temperature is too high?
Inside temperature is not enough	If door gasket is ok?
	If ventilation accords to our requirement?
	If ambient temperature is too high?

formation of mould, odours and oxidation.

4. Clean the appliance. Clean the inside of the refrigerator compartment regularly with a sponge dampened in warm water and/or neutral detergent. Rinse and dry with a soft cloth. Do not use abrasive products. Clean the outside with a damp cloth. Do not use abrasive products, scourers, stain removers (e.g. acetone, trichloroethylene) or vinegar.

- 1) For detachable parts, such as shelves, drawers, crispers, ice boxes, egg trays, gaskets, take out and clean these parts with a sponge dampened in warm water and/or neutral detergent.
- 2) For air vents, sensor cover grilles, lamp cover grilles, clean these parts with a vacuum cleaner or soft brush.
- 3) For drainage system: Clean the defrost water drain outlet regularly with a sponge dampened in warm water and/or neutral detergent.

**ALDA hotel equipment a.s.**

**Oskořínská 162, 289 31 Chleby**

**Tel.: +420 325 531 625**

**e-mail: [alda@alda.cz](mailto:alda@alda.cz)**

**[www.alda.cz](http://www.alda.cz)**